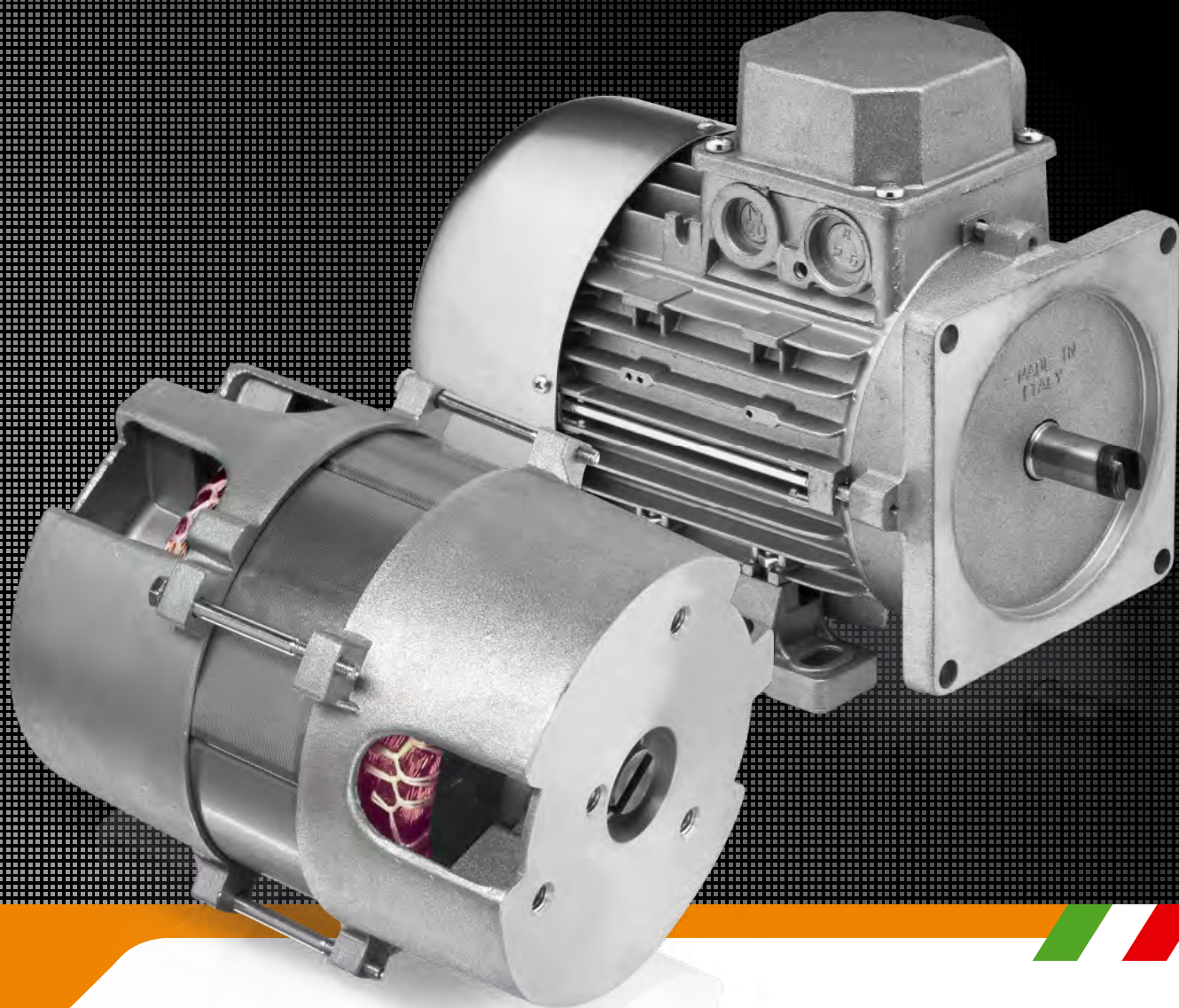


THE NEW
UNDEROIL
SERIES ONLY
110mm Ø
UNIQUE
WORLDWIDE

elprom
FROM EXPLOSION TO PASSION



AC Motors for Hydraulic

Powerpack motors - Underoil motors

EN



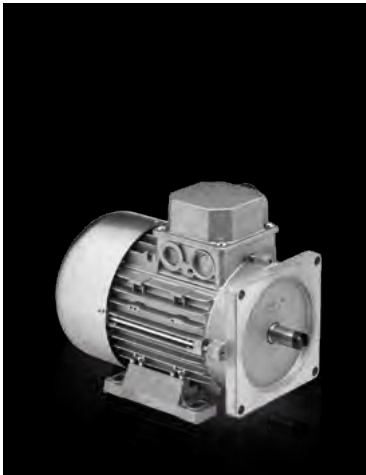
ORANGE1 HOLDING

A dynamic, strong and ambitious Group:

Orange1 Holding is an international renown Group, one of the most important European manufacturers of single-phase and three-phase asynchronous electric motors. It has an annual capacity of more than 1 million motors and 5 million electric stators with an annual turnover of approx 200 million euro and more than 1200 workers in 11 production facilities. The group, established in 1971 by Leone Donazzan, chaired today by his son Armando Donazzan, is strongly focused on technological innovation, performance and customization to meet individual clients requirements. As a group of 13 companies it has a powerful advantage: the strength in numbers.



Elpromtech, member of Orange1 Holding since 2011, is known worldwide for the production of asynchronous motors for hydraulic applications and beyond; it also offers products suitable for powerpack applications, lifting, garage equipments, compactors and hydraulic applications in general. Elpromtech is unique worldwide for the manufacturing of the most sophisticated products like explosion proof motors ATEX, IECEx, cETLus, EAC for hazardous areas, encapsulated motors for ambient with high humidity as car wash systems, offshore applications and food industry, motors with integrated frequency drive to get very sophisticated controls minimizing the overall dimensions of the product. This peculiarity makes Elpromtech world leader for the market in which maximum reliability, technological innovation and high quality are required.



Powerpack motors

The electric motors are largely used in the hydraulic applications, flange mounted B5 or B14 with special couplings and adaptors between the motor and the pump.

In addition to our standard range, Elpromtech has developed the Powerpack Series. The motors have special flanges and shafts to allow a direct coupling between motor and pump. The special square flange is suitable for the main pump brands on the market. The motor range is between 71 and 100 frame size, with output power up to 5.5 kW for an intermittent duty.

The main field of application all the hydraulic applications with direct coupling to a gear pump in particular for lifting devices, compactors, special drives and many others

Special Output Power on request for Special Duty Cycles Special upon request

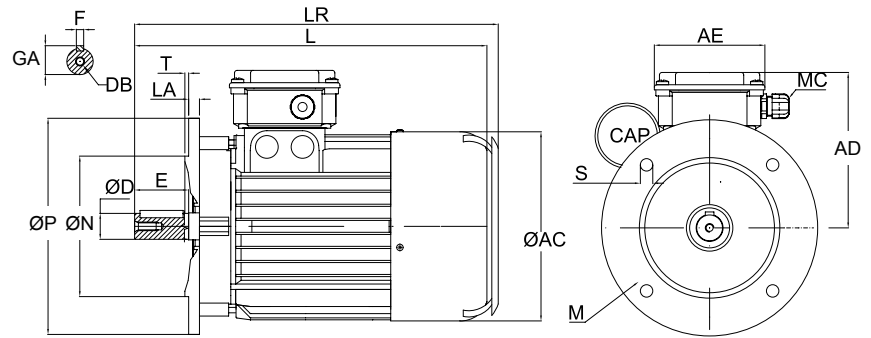
Three phase 6 pole, 8 pole, two speed
Single phase Cap start Cap run
Foot mounted
Thermal protector PTO, PTC, PT100
Heaters 230 or 110 V
Special Voltage
Standard Paint or with special epoxy paint
IP55, IP65, IP56, IP66

Class H
Tropicalization
Encapsulation for Harsh environment applications
cCSAus Certification (CSA C22.2 - UL1004)
ATEX Ex d, Ex de, Ex e o Ex nA
IECEx Ex d
EAC Ex d, Ex de, Ex e o Ex nA

Frame size	3 PHASE		1 PHASE		B14 / B5	Direct
	2 POLE	4 POLE	2 POLE	4 POLE		
63	0,18 - 0,37 kW	0,18 - 0,37 kW	0,18 - 0,37 kW	0,18 - 0,37 kW	x	
71	0,18 - 1,5 kW	0,18 - 1,1 kW	0,18 - 1,5 kW	0,18 - 1,1 kW	x	x
80	0,75 - 2,2 kW	0,55 - 1,5 kW	0,75 - 2,2 kW	0,55 - 1,5 kW	x	x
90	1,5 - 4 kW	1,1 - 3,5 kW	1,5 - 3 kW	1,1 - 2,6 kW	x	x
100	3 - 5,5 kW	2,2 - 5,5 kW	3 - 4 kW	2,2 - 3 kW	x	x
112	4 - 7,5 kW	4 - 7,5 kW			x	

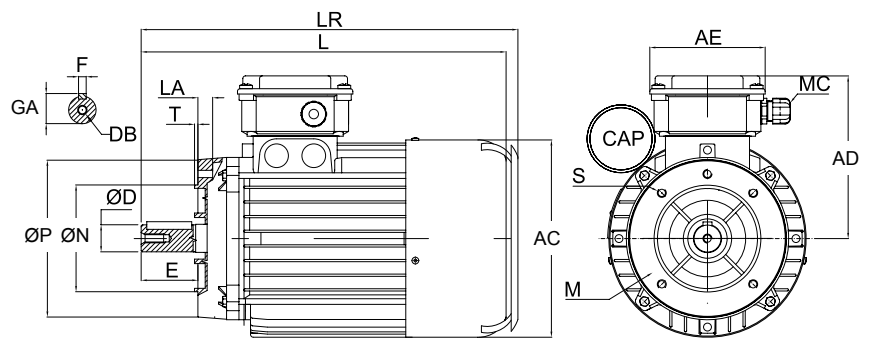
B5

	ØP	ØN	LA	M	T	S
63	140	95	11	115	3	9
71	140*	95	11	115	3	9
	160	110	10,5	130	3,5	9
80	160*	110	10,5	130	3,5	9
	200	130	11,5	165	3,5	12
90	160*	110	10,5	130	3,5	9
	200	130	11,5	165	3,5 <td 12	
100	200*	130	11,5	165	3,5	12
	250	180	15,5	215	4	14
112	160*	110	10,5	130	3,5	9
	250	180	15,5	215	4	14

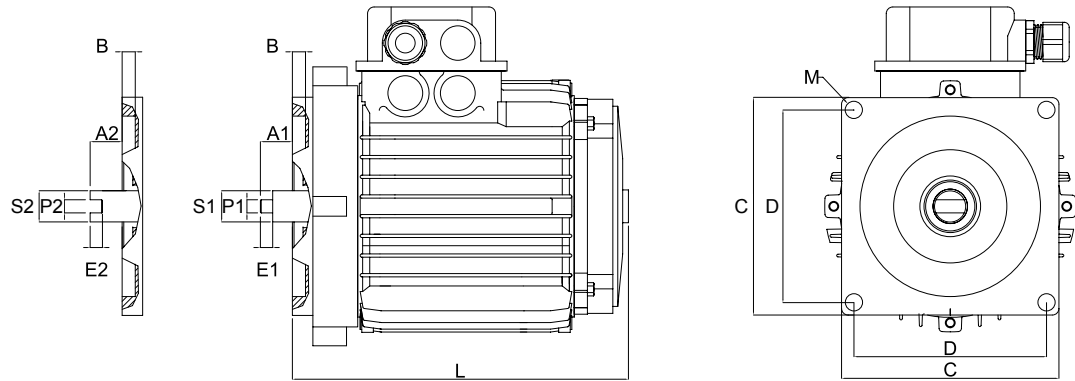


B14

	ØP	ØN	LA	M	T	S
63	80*	50	9	65	2,5	M5
	90	60	9	75	2,5	M5
	105*	70	15	85	2,5	M6
	120*	80	15	100	3	M6
71	90*	60	12	75	2,5	M5
	105	70	12	85	2,5	M6
	120*	80	13	100	3	M6
80	140*	95	20	115	3	M8
	105*	70	12	85	2,5	M6
	120	80	12	100	3	M6
	140*	95	20	115	3	M8
90	160*	110	20	130	3,5	M8
	120*	80	15	100	3	M6
	140	95	15	115	3	M8
100	120*	80	16	100	3	M6
	160	110	16	130	3,5	M8
	200*	130	20	165	4	M10
112	140*	95	16	115	3	M8
	160	110	16	130	3,5	M8

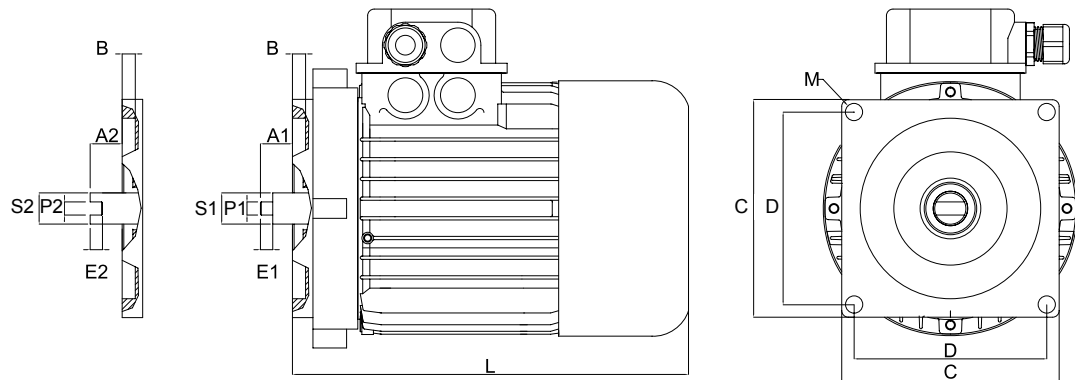


Direct flange



NOT VENTILATED

IEC	L	B	C	D	M	MALE SHAFT				FEMALE SHAFT			
						A1	E1	S1	P1	A2	E2	S2	P2
71	183	8	133	117	10,5	9,5	8	17	7,5	24,5	4,5	17	8
80	198	8	133	117	10,5	9,5	8	17	7,5	24,5	4,5	17	8
90S	213	8	133	117	10,5	9,5	8	25	7,5	24,5	4,5	25	8
90L	237	8	133	117	10,5	9,5	8	25	7,5	24,5	4,5	25	8
100	279	8	133	117	10,5	9,5	8	25	7,5	24,5	4,5	25	8



VENTILATED

IEC	L	B	C	D	M	MALE SHAFT				FEMALE SHAFT			
						A1	E1	S1	P1	A2	E2	S2	P2
71	216,5	8	133	117	10,5	9,5	8	17	7,5	24,5	4,5	17	8
80	235,5	8	133	117	10,5	9,5	8	17	7,5	24,5	4,5	17	8
90S	253,5	8	133	117	10,5	9,5	8	25	7,5	24,5	4,5	25	8
90L	277	8	133	117	10,5	9,5	8	25	7,5	24,5	4,5	25	8
100	321	8	133	117	10,5	9,5	8	25	7,5	24,5	4,5	25	8



Underoil motors

Motor for direct coupling to the gear pump oil submersed into the reservoir. The under oil motor is very reliable and compact, designed with special oil resistant materials. The rotor is designed with smooth surfaces to avoid oil turbulence inside the reservoir. These motors will bear the cCSAus marking when manufactured in compliance with the North America standards.

THE NEW UNDEROIL SERIES ONLY 110mm Ø UNIQUE WORLDWIDE

Field of application

For all the hydraulic applications to couple to a Group 1 gear pump. Other applications on request.

Characteristics

Insulation class F, Protection IP00, Voltage tolerances $\pm 5\%$ Maximum oil temperature 60°C

Special Output Power on request for Special Duty Cycles

On request

Three phase 6 pole
Single phase Cap start Cap run
Thermal protector PTO, PTC , PT100
Special Voltage
cCSAus Certification (CSA C22.2 - UL1004)
Cable length on request
Motors in IEC standard mounting B3, B5 or B14

400V 50Hz

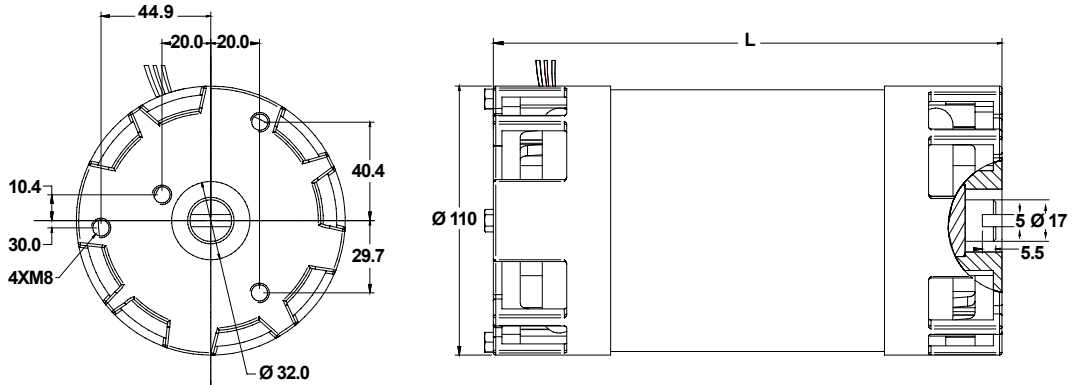
	Motor	[kW]	Poles	rpm	IN [A]	MA MN	Service Duty
Ø 110 mm	GU712.37	0,37	2	2830	1	3,4	S3 30%
	GU712.55	0,55	2	2800	1,7	3	S3 30%
	GU712.75	0,75	2	2800	2	3,4	S3 30%
	GU7121.1	1,1	2	2830	3,2	3,3	S3 30%
	GU7121.5	1,5	2	2830	5,4	2,7	S3 30%
	GU7122.2	2,2	2	2790	5,9	2,8	S3 30%
	GU714.25	0,25	4	1400	1	2,5	S3 30%
	GU714.37	0,37	4	1400	1,3	2,5	S3 30%
	GU71A.55	0,55	4	1400	1,7	2,3	S3 30%
	GU714.75	0,75	4	1400	2,4	2,1	S3 30%
	GU7141.1	1,1	4	1380	3,6	2	S3 30%
Ø 130 mm	GU802.55	0,55	2	2850	1,4	3,3	S3 30%
	GU802.75	0,75	2	2850	2	3,2	S3 30%
	GU8021.1	1,1	2	2880	3,1	3,5	S3 30%
	GU8021.5	1,5	2	2810	3,6	2,7	S3 30%
	GU8022.2	2,2	2	2750	4,5	3,7	S3 30%
	GU8022.6	2,6	2	2820	8,7	3,7	S3 30%
	GU8023.0	3	2	2800	8,7	2,4	S3 30%
	GU804.55	0,55	4	1410	2,3	2	S3 30%
	GU804.75	0,75	4	1400	2,3	2,4	S3 30%
	GU8041.1	1,1	4	1410	3,6	2	S3 30%
	GU8041.5	1,5	4	1390	4,6	2,1	S3 30%
GU8042.2	2,2	4	1380	7,3	2	S3 30%	
GU8042.6	2,6	4	1400	8,6	2	S3 30%	
GU8043.0	3	4	1380	9,8	2	S3 30%	

230 50Hz

	Motor	[kW]	Poles	rpm	IN [A]	MA MN	Service Duty	C [mF]
Ø 110 mm	NU712.37	0,37	2	2860	2,6	0,8	S3 30%	16
	NU712.55	0,55	2	2790	3,6	0,75	S3 30%	25
	NU712.75	0,75	2	2860	5	0,6	S3 30%	35
	NU7121.1	1,1	2	2760	7	0,5	S3 30%	40
	NU7121.5	1,5	2	2800	8,8	0,45	S3 30%	45
	NU7122.2	2,2	2	2800	13	0,35	S3 30%	60
	NU714.25	0,25	4	1400	2	0,7	S3 30%	12
	NU714.37	0,37	4	1400	2,6	0,6	S3 30%	16
	NU714.55	0,55	4	1400	3,6	0,45	S3 30%	20
	NU714.75	0,75	4	1390	6,3	0,4	S3 30%	30
	NU7141.1	1,1	4	1380	9,1	0,35	S3 30%	45
Ø 120 mm	NU802.55	0,55	2	2800	4	0,6	S3 30%	16
	NU802.75	0,75	2	2780	6	0,7	S3 30%	20
	NU8021.1	1,1	2	2870	8,2	0,6	S3 30%	30
	NU8021.5	1,5	2	2730	11,5	0,75	S3 30%	40
	NU8022.2	2,2	2	2860	16	0,6	S3 30%	50
	NU804.55	0,55	4	1400	4,8	0,6	S3 30%	16
	NU804.75	0,75	4	1400	6	0,7	S3 30%	20
	NU8041.1	1,1	4	1400	9	0,55	S3 30%	40
	NU8041.5	1,5	4	1380	11,5	0,55	S3 30%	50
	NU8042.2	2,2	4	1400	15	0,65	S3 30%	60

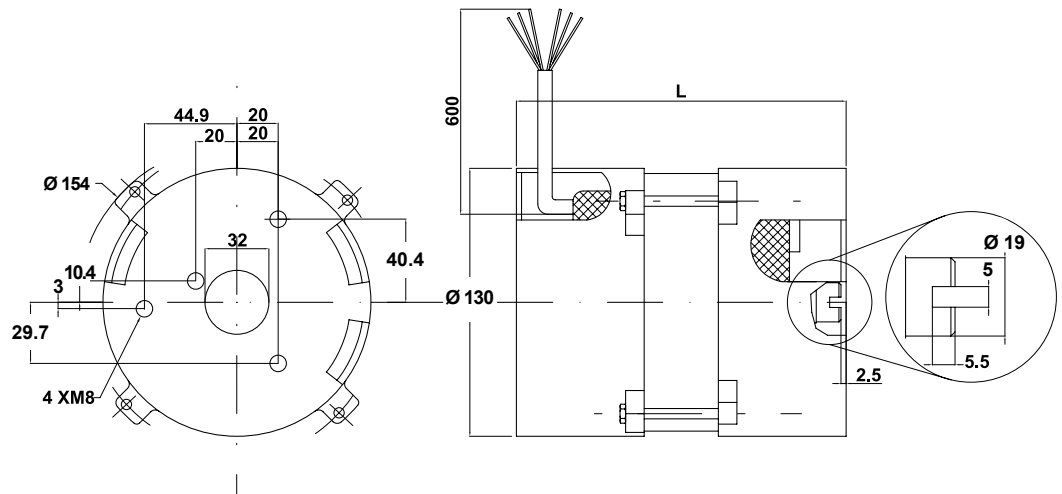
	L
GU712.37	138
GU712.55	138
GU712.75	158
GU7121.1	168
GU7121.5	188
GU7122.2	208
GU714.25	138
GU714.37	143
GU71A.55	148
GU714.75	158
GU7141.1	168
NU712.37	158
NU712.55	168
NU712.75	188
NU7121.1	198
NU7121.5	208
NU7122.2	218
NU714.25	158
NU714.37	168
NU714.55	178
NU714.75	198
NU7141.1	208

GU/NU 71



	L
GU802.55	165
GU802.75	175
GU8021.1	185
GU8021.5	195
GU8022.2	215
GU8022.6	215
GU8023.0	220
GU804.55	160
GU804.75	165
GU8041.1	175
GU8041.5	195
GU8042.2	220
GU8042.6	220
GU8043.0	225
NU802.55	178
NU802.75	188
NU8021.1	198
NU8021.5	108
NU8022.2	238
NU804.55	188
NU804.75	198
NU8041.1	213
NU8041.5	228
NU8042.2	238

GU/NU 80



Certifications

Certificate N. IT00/0059.04

The newly reassignment letter of

ELPROMTECH S.r.l.

Via Mantova, 93 - 43100 PARMA (PR) - Italy

has been assessed and certified on meeting the requirements of

ISO 9001 / UNI EN ISO 9001:2008

for the following activities:

Asynchronous induction electric motors single phase and three phase and low voltage manufacturing and design.

EA Sector: 19

This certificate is valid from 09/04/2015 until 09/04/2018 and remains valid subject to satisfactory surveillance audits. The verification audit file number is 000402915. Annex I. Certified since 15/02/2012.

All applicable conditions have been listed in the scope. The user certificate is numbered 0030093333.

Further certifications regarding the scope of this certificate and the applicability of ISO 9001:2008 requirements may be obtained by contacting the organization.

Authorized by: *[Signature]*

SGS ITALIA S.p.A. - Via Sesto 4 - Bologna Certification - Via G. Galilei, 36 - 20126 MILANO - Italy - Tel. 02 2121317 - Fax 02 75 0154 80 - www.sgs.com

Product Testing

EUROPEAN PRODUCT TESTING ITALY S.R.L. - Via Casimiro, 21 - 10188 TORINO - ITALIA - 10188 TORINO - 0117

NOTIFICA GARANZIA QUALITA' PRODOTTI
PRODUCT QUALITY ASSURANCE NOTIFICATION

[1] **Apparecchiature destinate ad essere utilizzate in atmosfere potenzialmente esplosive - Direttiva 94/9/CE**
Equipments for use in potentially explosive atmospheres - Directive 94/9/CE

[3] Numero della Notifica / Notification Number: **EPT 15 ATEX 2075 Q**

[4] Apparecchiature / Equipments:
Motori elettrici / Electric motors

Principio di protezione / Means of protection: **EN 60078-1, EN 60078-7, EN 60079-31**

[5] Richiedente / Applicant: **Elpromtech S.r.l.**
Via Mantova, n. 93 - 43122 Parma

[6] Costruttore / Manufacturer: *come sopra / as above*

[7] Eurotest Product Testing Italy S.r.l., Organismo Notificato n. 0477 in conformità all'articolo 9 della Direttiva 94/9/CE del Consiglio dell'Unione Europea del 23 Marzo 1994, notifica che il Costruttore ha un sistema di qualità per la garanzia dei prodotti conforme all'allegato VI della Direttiva.

[8] Questa Notifica è basata sul Rapporto di Verifica Ispezione rilasciato il 24/03/2015. Questa Notifica sostituisce la precedente Notifica EUMI 13 ATEX 1051 Q del 05/10/2013 a seguito della variazione della ragione sociale dell'Organismo Notificato.

[9] Questa Notifica può essere ritirata se il Costruttore non soddisfa le verifiche periodiche di garanzia di qualità produzione.

[10] In accordo con l'articolo 10 paragrafo 1 della Direttiva 94/9/CE la marcatura CE deve essere seguita dal numero 0477 che identifica l'Organismo Notificato designato al controllo dei prodotti.

Place: Torino, 02 March 2015

[Signature]
Dioniso Bucciani
Direttore Responsabile

[Signature]
Paolo Netti
Notified Body Manager

CSA INTERNATIONAL

Certificate of Compliance

Certificate: 1349619 Master Contract: 217061

Project: 1349619 Date Issued: 05/08/14, 2012

Issued to: **ELPROM S.r.l.**
Via Mantova, 93
I-43100 Parma
ITALY

The products listed below are eligible to bear the CSA Mark shown with adjacent indicators 'C' and 'US'

SA
C US

Authorized by: *[Signature]*
Darcy L. P. Eng.
Manager - Engineering

PRODUCTS

CLASS 4211 01 - MOTORS AND GENERATORS
CLASS 4211 81 - MOTORS AND GENERATORS - CERTIFIED TO US STANDARDS

Series II 1IM squirrel-cage induction motors, component type, permanently connected, self, horizontal or vertical, foot and/or flange mounted, max. 600V or less, three phase and single phase, 50/60Hz, ambient 40 °C, Insulation Class F; 2, 4, 6, 8, 4/2, and 8/4 poles, power from 0.06kW to 22kW.

Series I 2X, 1UM squirrel-cage induction motors, component type, permanently connected, self, horizontal or vertical, foot and/or flange mounted, max. 600V or less, three phase and single phase, 50/60Hz, ambient 40 °C, Insulation Class F; 2, 4, 6, 8, 4/2, 8/4 poles, with time rating 120 sec. ON and 450 sec. OFF, power from 0.06kW to 22kW.

Series UV, 1UM squirrel-cage induction motors, component type, permanently connected, self, horizontal or vertical, foot and/or flange mounted, max. 600V or less, three phase and single phase, 50/60Hz, ambient 40 °C, Insulation Class F; 2, 4, 6, 8, 4/2, 8/4 poles, with on, ventilation, with time rating 120 sec. ON and 450 sec. OFF, power from 0.06kW to 22kW.

CSA INTERNATIONAL

Certificate of Compliance

Certificate: 1377937 Master Contract: 217061

Project: 1377937 Date Issued: April 3, 2016

Issued to: **Elprom S.r.l.**
Via Mantova 93
Parma, 43100
ITALY

The products listed below are eligible to bear the CSA Mark shown with adjacent indicators 'C' and 'US'

SA
C US

Issued by: G. Fodini

Authorized by: *[Signature]*
M.L.L. Hendersongers

PRODUCTS

CLASS 4211 01 - MOTORS AND GENERATORS
CLASS 4211 81 - MOTORS AND GENERATORS ACCORDING TO US STANDARDS

- Series I 2X, squirrel-cage induction motors, component type, permanently connected, self, horizontal or vertical, foot and/or flange mounted, max. 600 V or less, three phase, 50/60 Hz, with time rating 120 sec. ON and 450 sec. OFF Insulation Class F; 2, 4, 6, 8 poles, power from 0.05 kW to 22 kW - Oil immersed temp @ max 60°C.
- Series UV squirrel-cage induction motors, component type, permanently connected, self, horizontal or vertical, foot and/or flange mounted, max. 600 V or less, single phase, 50/60 Hz, Insulation Class F; 2, 4 poles, with time rating 120 sec. ON and 450 sec. OFF; power from 0.05 kW to 2.60 kW - Oil immersed temp @ max 60°C.



ORANGE1
HOLDING

ELPROMTECH S.r.l.
Via Mantova, 93
42122 Parma (IT)
T. +39 0521 272383
F. +39 0521 272686
P.iva: 03723220244

info@orange1.eu
www.orange1.eu

follow us   

#02 - 10/2017

